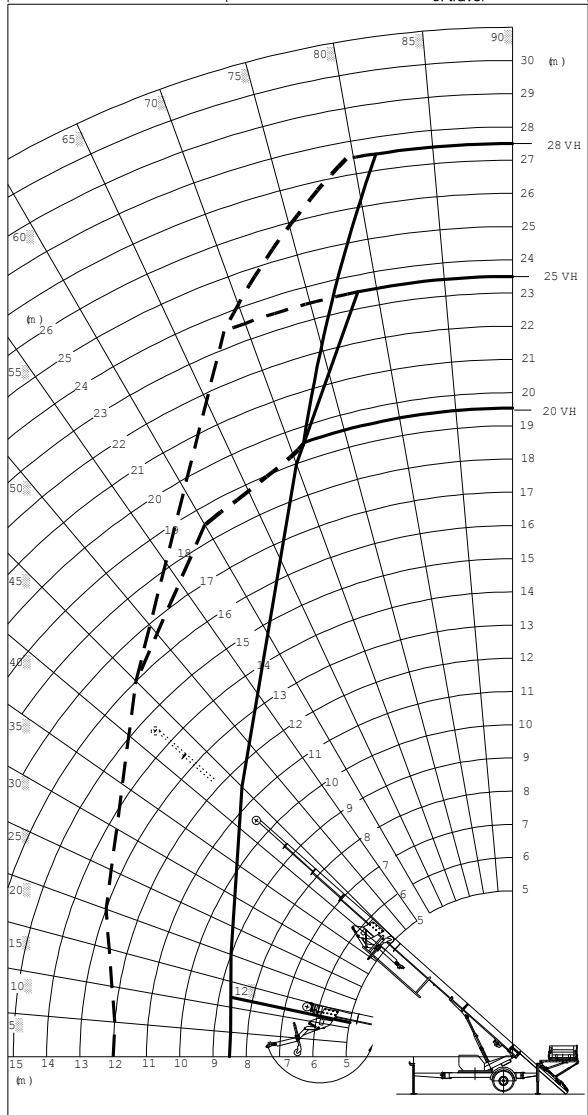


Load carrying capacity (max. 300 kg) with fastened head piece

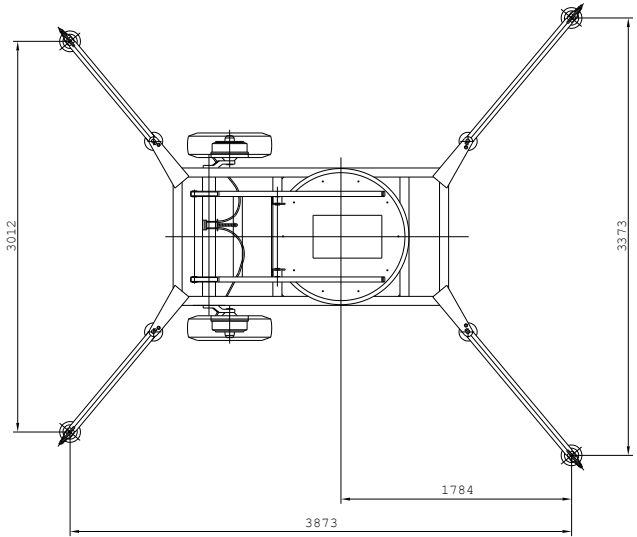
Max. extension length of the rails during installation/dismantling

— transverse to direction of travel

— in / in opposite direction of travel



Model	20 VH/M 300	25 VH/M 300	28 VH/M 300
Size X	app. 1150 mm	app. 1000 mm	app. 850 mm



Alteration in construction reserved!

TEUPEN Maschinenbaugesellschaft mbH

Address: Marie-Curie-Strasse 13 - 48599 Gronau-GERMANY - Phone ++49 / 2562 / 8161-0 - Fax ++49 / 2562 / 8161-888
 P. O. Box: 1951 - 48580 Gronau-GERMANY

Internet: <http://www.teupen.info> - E-mail: mail@teupen.info